


AUTODESK FUSION 360

2026

# BLOG

 [www.cadin360.com](http://www.cadin360.com)

  
**cadin360°**  
Learning Tutorials

# A Note to Our Readers

2026

This blog has been created using a combination of artificial intelligence tools and human review to help deliver clear, structured, and up-to-date learning content.

All technical topics, examples, and workflows are curated to support learning and skill development. While every effort is made to ensure accuracy and clarity, readers are encouraged to validate concepts through hands-on practice and documentation. Our goal is to make learning more accessible, efficient, and practical for everyone.

## Disclaimer:

All product names, logos, brands, and registered trademarks mentioned in this publication are the property of their respective owners and are used for identification purposes only.

— CADIN360 Team



# HOW TO APPLY CHAMFER TO EDGE IN FUSION 360

• LEARN •      • APPLY •      • GROW •

# Introduction

Applying chamfer to edges is a fundamental skill in Fusion 360 that enhances both aesthetic appeal and functionality of your 3D models. Whether you're designing mechanical parts, consumer products, or architectural components, chamfers help remove sharp edges, improve safety, and achieve a professional look.

In this guide, you'll learn **how to apply a chamfer to edges in Fusion 360** effectively. We'll walk through step-by-step instructions, practical examples, common mistakes to avoid, and best practices. By mastering this technique, you'll streamline your modeling workflow and produce polished, precise designs.

## Understanding Chamfer in Fusion 360

Before diving into the process, it's essential to understand what a chamfer is. A chamfer is a beveled edge that connects two surfaces, usually at a 45° angle, but it can vary based on your needs. It can be used to:

- Ease assembly
- Improve safety by removing sharp edges
- Add aesthetic detail

Fusion 360 offers versatile ways to apply chamfers, whether to individual edges or multiple at once.

---

## How to Apply a Chamfer to Edges in Fusion 360

Applying a chamfer in Fusion 360 involves selecting edges and defining parameters—this section offers a detailed, step-by-step guide.

### 1. Prepare Your Model

- Open your existing Fusion 360 design or create a new model.
- Ensure the edges you want to chamfer are visible and accessible.

- It's best practice to save your work before starting modifications.

## 2. Activate the Chamfer Tool

- Navigate to the "**Modify**" menu in the toolbar.
- Click on the "**Chamfer**" icon. It looks like a beveled edge.

## 3. Select the Edges

- Click on the edges you wish to chamfer.
- To select multiple edges:
- Hold down the **Ctrl** key (or **Cmd** on Mac) and click each edge.
- You can also box select edges by dragging the cursor around them.
- Make sure to select only the edges you intend to modify.

## 4. Define Chamfer Parameters

- Once edges are selected, a dialog appears with options to customize your chamfer:
- **Distance:** The length of the bevel along both edges.
- **Distance 1 and Distance 2:** For unequal chamfers.
- **Angle:** Set a specific angle instead of a distance.
- **Type:**
- **Equal Distance:** Applies the same offset to both sides.
- **Two Distances:** Different offsets for each side.
- **Distance and Angle:** Specify a distance and an angular chamfer.
- Adjust these parameters according to your design needs.

## 5. Preview and Apply

- Use the preview window to see how the chamfer affects your edges.
- If satisfied, click **OK** to apply the chamfer.
- If not, adjust parameters and preview again.

---

## Practical Example: Chamfering a Mechanical Part

Imagine designing a gear housing where sharp edges could cause injury or assembly issues. Here's how to smooth these edges in Fusion 360:

- Select the top edges of the housing where the sharpness is undesirable.
- Choose the **Chamfer** tool.
- Set **Distance** to 2 mm for a moderate bevel.
- Preview the result and click **OK**.
- Review your model for consistency and safety.

This practical application demonstrates how quick adjustments to edges significantly improve the final product.

---

## Common Mistakes When Applying a Chamfer

Avoid these typical errors to ensure professional results:

- **Selecting the wrong edges:** Accidentally selecting internal edges or hidden edges can distort your model.
- **Applying inconsistent dimensions:** Using very large or uneven chamfer distances can weaken structural integrity.
- **Ignoring the model's geometry:** Not considering how chamfers affect adjacent features, leading to overlaps or conflicts.

- **Forgetting to preview:** Jumping straight to application without preview may result in undesirable changes.

---

## Pro Tips and Best Practices for Chamfering in Fusion 360

- **Use the selection filters:** Activate edge selection filters to streamline the process.
- **Apply chamfers selectively:** Only chamfer edges that require smoothing to avoid unnecessary modifications.
- **Combine with other features:** Use fillets and shell commands to create complex edge transitions.
- **Experiment with different types:** For detailed models, consider **distance and angle** for more precise control.
- **Utilize symmetry:** For models with symmetrical features, apply chamfers symmetrically to maintain balance.

---

## Comparing Chamfer and Fillet in Fusion 360

While both are used to modify edges, understanding when to use **chamfer** versus **fillet** is crucial.

Feature	Chamfer	Fillet
---------	---------	--------

Purpose	Bevels edges at specified angles or distances	Rounds edges for smooth transition
Geometric Shape	Angled bevel	Rounded curve
Use Case	Edges requiring sharp, defined bevel	Edges needing soft, rounded finish
Parameter Options	Distance, angle, or two distances	Radius and curve control

Choosing between the two depends on your design intent, safety considerations, and aesthetic preferences.

---

## Conclusion

Mastering how to apply chamfer to edges in Fusion 360 is a vital skill for creating professional, functional, and visually appealing models. By following the step-by-step instructions, practicing with practical examples, and understanding common pitfalls, you'll streamline your workflow and elevate your design quality.

With consistent practice, experimenting with different chamfer types and parameters, you'll develop a keen eye for detail that transforms basic models into polished engineering or artistic creations.

---

## FAQ

### 1. How do I apply a chamfer to multiple edges at once in Fusion 360?

**Ans :** Select all desired edges using Ctrl/Command or box selection, then apply the chamfer tool and set your parameters.

### 2. Can I change the chamfer dimensions after applying it in Fusion 360?

**Ans :** Yes, you can edit the chamfer feature in the timeline or the browser by right-clicking and selecting **Edit Feature**.

### 3. What is the difference between a chamfer and a fillet in Fusion 360?

**Ans :** A chamfer creates an angled bevel, while a fillet rounds the edge with a smooth curve.

### 4. How do I create an asymmetric chamfer with different distances in Fusion 360?

**Ans :** Choose the **Two Distances** option in the chamfer dialog and specify different values for each side.

## 5. What is the best way to ensure the chamfer looks clean in complex models?

**Ans :** Preview frequently, select edges carefully, and consider using construction geometry or selection filters to improve accuracy.

---

By mastering these techniques, you'll confidently incorporate chamfers into your Fusion 360 projects, delivering high-quality, professional models every time.

# About CADIN360

2026

CADIN360 Learning Tutorials is an educational platform focused on practical CAD, CAM, and CAE learning.

The platform provides clear, industry-oriented tutorials, design workflows, and real-world insights using tools such as Autodesk Fusion 360.

CADIN360 is created to help learners, students, and professionals build strong fundamentals and practical design skills in modern CAD workflows.

2026

# Practice What You've Learned

You've just completed this blog and learned important concepts in Autodesk Fusion 360.

To help you practice and apply what you've learned, the next pages include a sample from our Fusion 360 book .This sample contains practice exercises and real-world practice tasks designed to strengthen your skills.

## What you'll find next:

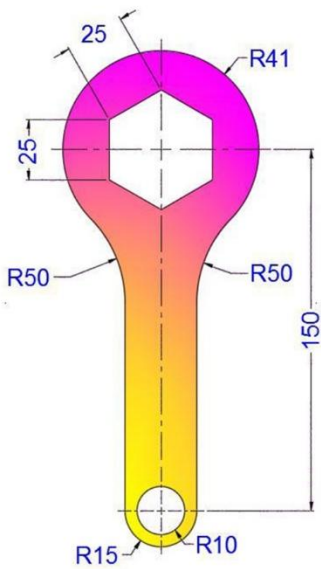
- ✓ Practice exercises from the book
- ✓ A brief overview of the complete book
- ✓ Options to explore or request the full sample

**Your hands-on Fusion 360 practice starts next.**

# AUTODESK FUSION 360 ALL IN ONE WORKBOOK

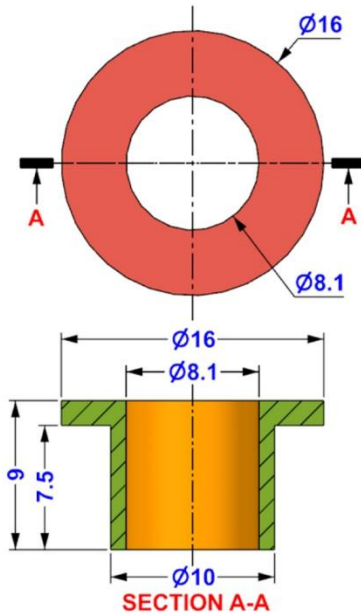
## 500+ PRACTICE EXERCISES

### • Sketching



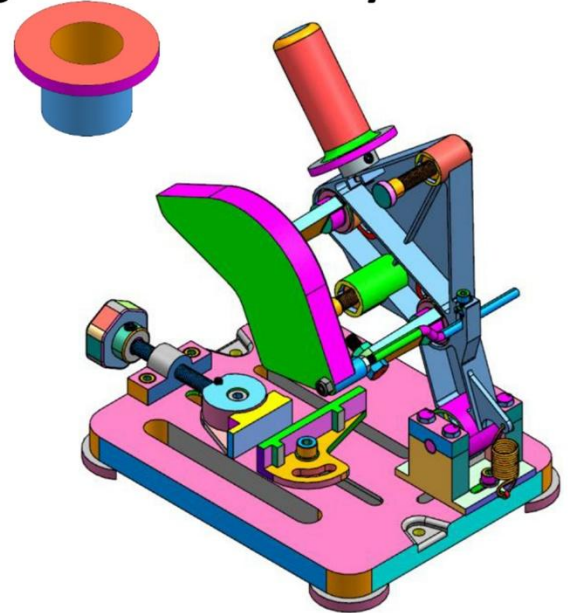
2D Sketching

### • 3D Modeling



3D Modeling

### • Assembly



Assembly

SACHIDANAND JHA

**AUTODESK**  
**FUSION 360**  
**ALL IN ONE**  
**WORKBOOK**

500+ PRACTICE EXERCISES

2D Sketching • 3D Modeling • Assembly Drawings

**SACHIDANAND JHA**



Dear Reader,

Thank you for choosing the AUTODESK FUSION 360 ALL IN ONE WORKBOOK. This book is part of the CADIN360° learning series, created to help engineers, students, and professionals master Fusion 360 through structured and practical exercises.

This book contains over 500 carefully crafted practice drawings, including:

- 200 2D Sketching Exercises
- 200 3D Modeling Exercises
- Comprehensive Assembly Models with 150+ Individual Part Drawings

We founded CADIN360 in 2016 with the goal of delivering practical, high-quality learning material for CAD software. More than 9 years later, we're still committed to producing consistently exceptional books. With each of our titles, we're working hard to set a new standard for the industry. From the paper we print on, to the authors we work with, our goal is to bring you the best books available.

I hope you see all that reflected in these pages. I'd be very interested to hear your comments and get your feedback on how we're doing. Feel free to let me know what you think about this or any other CADIN360 book by sending me an email at [cadin360@gmail.com](mailto:cadin360@gmail.com)

If you think you've found a technical error in this book, please visit <https://cadin360.com/contact-us/>.

Customer feedback is critical to our efforts at CADIN360.

Best regards,

Sachidanand Jha  
Founder & CEO, CADIN360



# **AUTODESK FUSION 360 ALL IN ONE WORKBOOK**

Published by CADIN360

Website: [cadin360.com](http://cadin360.com)

Copyright © 2025 by CADIN360, All rights reserved.

This book is copyrighted and the CADIN360 reserves all rights.

No part of this publication may be reproduced, stored in a retrieval system or transmitted, transcribed, stored in retrieval system or translated into any language, in any form or by any means, electronic, mechanical, photocopying, recording, scanning or otherwise, without the prior written permission of the publisher & Author.

## **Limit of Liability/Disclaimer of Warranty:**

The publisher and the author make no representations or warranties with respect to the accuracy or completeness of the contents of this work and specifically disclaim all warranties, including without limitation warranties of fitness for a particular purpose. No warranty may be created or extended by sales or promotional materials. The advice and strategies contained herein may not be suitable for every situation. This work is sold with the understanding that the publisher is not engaged in rendering legal, accounting, or other professional services. If professional assistance is required, the services of a competent professional person should be sought. Neither the publisher nor the author shall be liable for damages arising herefrom. The fact that an organization or Web site is referred to in this work as a citation and/or a potential source of further information does not mean that the author or the publisher endorses the information the organization or Web site may provide or recommendations it may make. Further, readers should be aware that Internet Web sites listed in this work may have changed or disappeared between when this work was written and when it is read.

## **Examination Copies**

Books received as examination copies in any form such as paperback and eBook are for review only and may not be made available for the use of the student. These files may not be transferred to any other party. Resale of examination copies is prohibited

## **Electronic Files & Usage Rights:**

The electronic file/eBook in any form of this book is licensed to the original user only and may not be shared, distributed, resale or transferred to any other party. To access files, the user must contact **[cadin360@gmail.com](mailto:cadin360@gmail.com)** with valid proof of purchase. Unauthorized distribution of the files is a violation of copyright law.

## **Disclaimer:**

All product names, logos, brands, and registered trademarks mentioned in this publication are the property of their respective owners and are used for identification purposes only.

# AUTODESK FUSION 360 ALL IN ONE WORKBOOK

- ❖ This book contains over 500 CAD practice exercises, organized as:
  1. 200 2D Sketching Exercises
  2. 200 3D Modeling Exercises
  3. Assembly Projects with 150+ Part Drawings
- ❖ This book is a practice workbook. It does not include step-by-step tutorials for creating 2D drawing, 3D models and Assembly.
- ❖ SI units (millimeters) are used for all dimensions.
- ❖ Third Angle Projection is used throughout this book.
- ❖ This book is for **AUTODESK FUSION 360** and also suitable for Other Feature-Based Modeling Software such as Inventor, Catia, SolidWorks, NX, Solid Edge, AutoCAD, PTC Creo etc.
- ❖ Designed for students, engineers, drafters, and designers looking for extensive CAD practice using Autodesk Fusion 360.
- ❖ The exercises cover a wide range of real-world modeling challenges—from simple sketches to complex assemblies—offering clear, concise, and structured drawing practice.
- ❖ Exercises are organized to gradually develop beginner to advanced-level design skills.
- ❖ Each exercise is self-contained, and can be completed independently.
- ❖ Assembly drawings follow industry standards to help improve visualization and multi-part modeling skills.
- ❖ All dimensions are in mm. Assume missing dimensions logically.

## HOW TO USE THIS BOOK

This book contains over 500 CAD practice exercises, designed for self-paced learning using Autodesk Fusion 360 or any feature-based modeling software.

- 2D Sketching Exercises: Start here if you're a beginner or learning how to use the sketch environment.
- 3D Modeling Exercises: Follow after mastering sketching. Practice creating solid models using the provided dimensions.
- Assembly Drawings: Use after completing part models to understand multi-part assemblies, relationships, and constraints.

### **Tips for Best Use:**

- Complete the exercises in order, or jump to any skill level you prefer.
- All dimensions are in millimeters.
- Where dimensions are missing, apply logic or practice estimation.
- This book is ideal for both students and professionals preparing for industry design work.

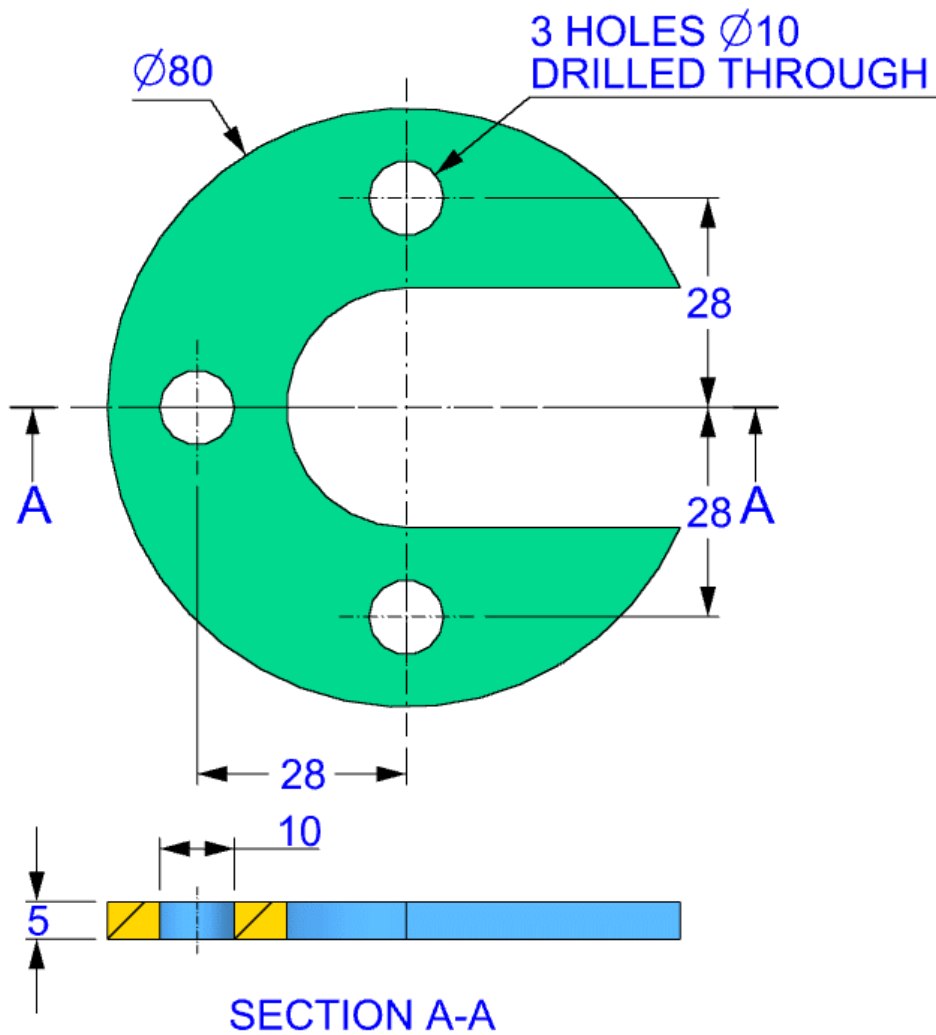
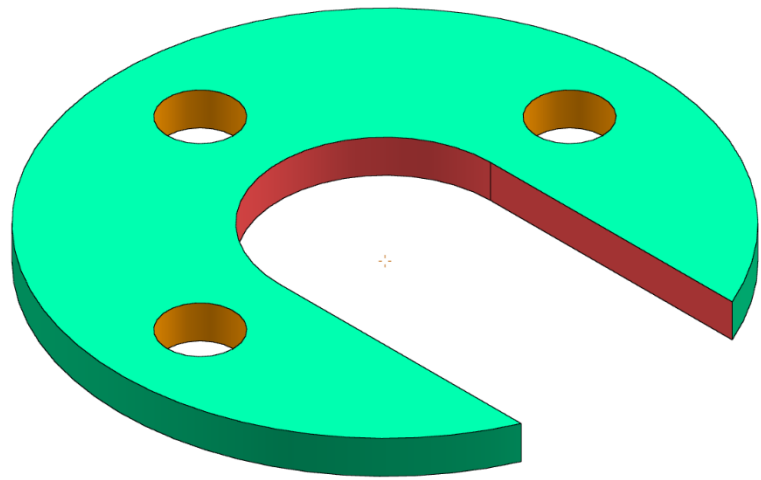
### **Note:**

This book is available in multiple formats – **Black & White**, **Standard Color**, and **Premium Color** editions.

Happy learning!  
– Team CADIN360

3D

## EXERCISE-01



# Get The Complete Practice Sample

You downloaded a single Exercise PDF

The complete practice sample for this software includes multiple exercises and is not available inside this PDF..

## What you will receive

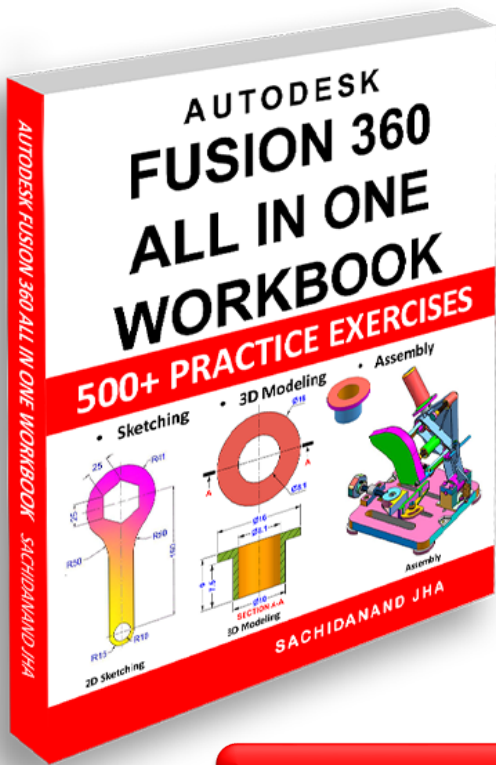
- A software-specific complete sample PDF
- Multiple real practice exercises (not a single file)
- Same quality as our professional training material
- Compatible with the latest software version

## How to get the complete sample

Click the button below and **enter a valid email address**. The **complete sample PDF will be delivered automatically** after the form is submitted.

**SEND THE COMPLETE SAMPLE TO MY EMAIL**

# END OF SAMPLE



## What's Included in the **FUSION 360 ALL IN ONE WORKBOOK?**

- ✓ Books contains exercises of Sketching, 3D Modeling & Assembly.
- ✓ 500+ Practice Exercises with Dimensions
- ✓ Full Assembly STEP Files (.stp format) – Compatible with all major CAD software
- ✓ Get 200 3D Exercises in .f3d file format
- ✓ Get All Assembly Exercises in .STP file
- ✓ Instant Download Link - Sent to Your Email After Payment
- ✓ Lifetime Access to All Files

**Get the Paperback book on Amazon**

**Get the Complete Bundle for Only \$27.99**

## Special Offer for Students & Learners

Are you a Student, Unemployed or Financially struggling ?  
Get this special Bundle only for \$19.99

***Special Offer for Only \$19.99***



# Thank You for Learning with Us!

Thank you for choosing the **AutoDesk Fusion 360 ALL IN ONE WORKBOOK**. We hope this book helped you strengthen your Fusion 360 skills through hands-on practice and real-world design challenges.

Your feedback means the world to us!

If you found this book helpful, please take a moment to leave a **review** on the Amazon where you purchased it. Your kind words not only motivate us but also help other learners discover our resources. Scan the QR.

★ A good review goes a long way!

## 📖 Explore More CAD Practice Books

Looking to continue your learning journey? We offer similar practice-based books for over **30 CAD software platforms**, including:

- AutoCAD
- SolidWorks
- FreeCAD
- TinkerCAD
- TurboCAD
- Siemens NX
- CATIA
- Creo
- SketchUp and many more...

Visit our website 🖱️ [www.cadin360.com](http://www.cadin360.com) to browse the complete collection.

## 💬 Stay Connected

Have suggestions, feedback, or just want to say hello?

We'd love to hear from you!

✉️ Email: [cadin360@gmail.com](mailto:cadin360@gmail.com)

🌐 Website: [www.cadin360.com](http://www.cadin360.com)

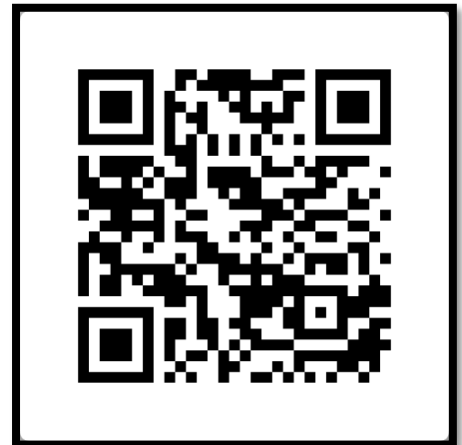
## 🚀 Keep Practicing. Keep Designing.

Whether you're a beginner or a pro, **practice is the key** to mastering any CAD software.

We're honored to be a part of your journey.

**Happy Designing!**

– Team **Cadin360**



# Master Fusion 360 with Real-World Practice Exercises

This book contains over 500 Fusion 360 practice exercises including sketching, 3D modeling, and assembly drawings.

Designed for students, engineers, and professionals to build practical CAD modeling skills.

## **AUTODESK FUSION 360 ALL IN ONE WORKBOOK**

### **This book contains:-**

- 200 2D Sketching Exercises
- 200 3D Modeling Exercises
- Multi-part Assembly Exercises & Detailed Drawings
- All drawings in 3<sup>rd</sup> Angle projection
- All dimensions are in mm(metric system)